

H/L V Series



HLV-PM shown with L2120 receptacle and DMX-Out

Standard Features

Black extruded aluminum wireway with interlocking cover sections to exceed UL 1573 standards.

15, 20, 30, 50, 60, and 100 Amp connectors and receptacles available.

DMX input/output.

Voltage barrier partition.

Supplied with two 5/16" x 2" U-bolts for use on 1 1/4" to 2" O.D. pipe.

Flush receptacles or pigtail mounted connectors.

Connectors pre-wired with 125° C XLP high temperature wire to molded barrier terminal blocks.

3/4" white die-cut circuit identification.

UL listed and labeled.

Optional Features

Custom colors.

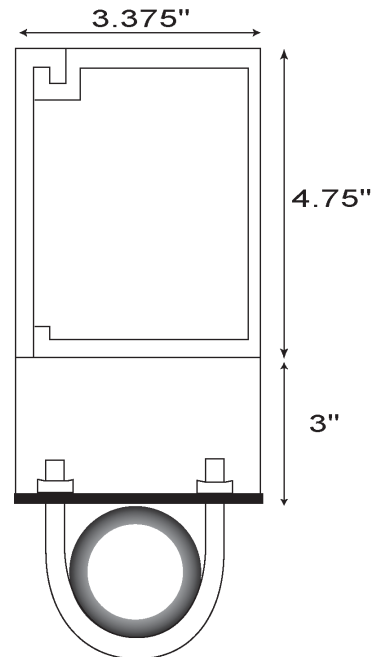
LED indicator lights.

Custom circuit identification.

Consult factory for other available Low Voltage outlets.

Consult factory for mounting option.

Available in 16 gauge steel.

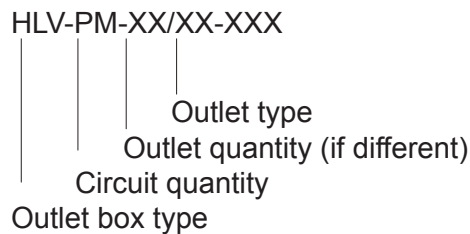


Box Widths	
1 Gang	6"
2 Gang	6"
3 Gang	8"
4 Gang	10"
5 Gang	12"
6 Gang	14"

- A. This assembly shall consist of a black extruded aluminum enclosure, 3.375" x 4.75" in cross section. Terminal strips are provided for feed conduit and wire extending to pigtail receptacles.
- B. Housing shall be fabricated of black extruded aluminum wireway with interlocking cover sections to exceed UL 1573 standards. Housing shall be inherently rustproof.
- C. The box shall be completely pre-wired at the factory, with ground lugs installed.
- D. The voltage barrier is laser cut from 20 gauge stainless steel and is placed vertically inside the box.
- E. Box shall be furnished with two 5/16" x 2" U-bolts for use on 1 1/4" to 2" O.D. pipe.
- F. The entire assembly shall be listed and labeled by Underwriters Laboratories.

Ordering Information

OUTLET TYPE	DESCRIPTION
2PGFL	20 Amp. Stage pin receptacle
2PGPT	20 Amp. Stage pin 18" pigtail
L520R	20 Amp. Twist lock receptacle
L520PT	20 Amp. Twist lock 18" pigtail
520R	20 Amp. Parallel blade receptacle
520PT	20 Amp. Parallel blade 18" pigtail
L2120R	20 Amp. 3P 5W Twist lock receptacle
L2120PT	20 Amp. 3P 5W Twist lock receptacle
L620R	20 Amp 250v Twist lock receptacle
L620PT	20 Amp 250v Twist lock receptacle
DMXPT	DMX pass thru
DMX5F	DMX-Out
DMX5M	DMX-IN
NET	Ethernet



Sample: HLV-PM-1-L2120R-1-DMX5F

High/Low Voltage Pipe Mounted Outlet Box with one (1) L2120 flush mount receptacle and one (1) DMX-Out receptacle

Please specify circuit numbering and above or below pipe mounting when ordering. Consult the factory for custom types and sizes.