

CM Series



Standard Features

Black extruded aluminum wireway with interlocking cover sections to exceed UL 1573 standards.

15, 20, 30, 50, 60, and 100 Amp connectors and receptacles available.

Supplied with two extruded aluminum C-clamps.

Flush receptacles or pigtail mounted connectors.

Connectors pre-wired with 125° C XLP high temperature wire to molded barrier terminal blocks.

1/4" eye bolt for use with safety cable.

3/4" white die-cut circuit identification.

UL listed and labeled.

Optional Features

Custom colors.

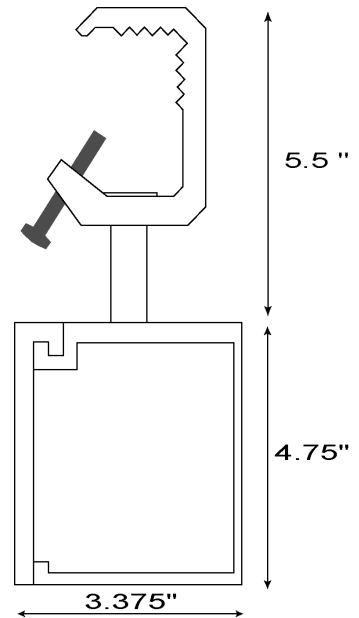
LED indicator lights.

Custom circuit identification.

Available in 16 gauge steel.

DMX input/output.

Multipin input/output.

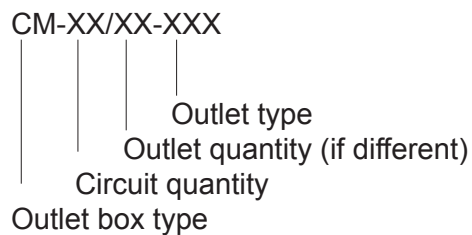


Box Widths	
1 Gang	6"
2 Gang	6"
3 Gang	8"
4 Gang	10"
5 Gang	12"
6 Gang	14"

- A. This assembly shall consist of a black extruded aluminum enclosure, 3.375" x 4.75" in cross section. Terminal strips are provided for feed conduit and wire extending to pigtail receptacles.
- B. Housing shall be fabricated of black extruded aluminum wireway with interlocking cover sections to exceed UL 1573 standards. Housing shall be inherently rustproof.
- C. The box shall be completely pre-wired at the factory, with ground lugs installed.
- D. Box shall be furnished with two C-clamps installed.
- E. Box shall have a 1/4" eye bolt.
- F. The entire assembly shall be listed and labeled by Underwriters Laboratories.

Ordering Information

<u>OUTLET TYPE</u>	<u>DESCRIPTION</u>
2PGFL	20 Amp. Stage pin receptacle
2PGPT	20 Amp. Stage pin 18" pigtail
L520R	20 Amp. Twist lock receptacle
L520PT	20 Amp. Twist lock 18" pigtail
520R	20 Amp. Parallel blade receptacle
520PT	20 Amp. Parallel blade 18" pigtail
602PGFL	60 Amp. Stage pin receptacle
602PGPT	60 Amp. Stage pin 18" pigtail



Sample: CM-3-2PGFL
 Clamp Mounted Outlet Box with 3 - 20 amp circuits and 3 stage pin receptacles.

Please specify circuit numbering and above or below pipe mounting when ordering. Consult the factory for custom types and sizes.

