

Fixture Carts

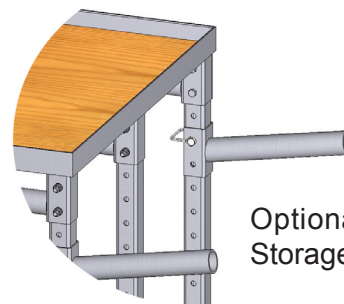
Fixture Carts – Common Features

- Structural Steel Frame Construction
- Heavy-Duty Rigid and Locking Swivel Casters
- Standard finish: black eggshell
- Nominal dimensions: 96" wide x 36" deep x 80" high
- Available in custom colors, custom sizes, and configurations
- Top and Bottom Storage Shelf



Adjustable Fixture Carts

- Storage pipes vertically adjustable in 2" increments to accommodate various fixtures
- Steel pins with retainers provided
- Optional Multi-cable Storage Brackets available
- Collapsible for easy shipping or storage, 96" wide x 36-1/2" deep x 11" high



Optional Multi-cable Storage Brackets

Standard Fixture Carts

- Storage pipes welded to frame

Multi-cable storage carts also available



Collapsible for easy shipping or storage